

Inductive Proximity Sensors



AVAILABLE FROM
NEPEAN ELECTRONICS

NEPEAN Power is a proven leader in the supply and manufacture of quality engineered solutions, products and technologies. Established in 1994, through the commitment of our dedicated team we have become a supplier of choice.

Inductive proximity sensors are the preferred choice for the majority of applications requiring accurate, non-contact detection of metallic objects in machinery or automation equipment. As a pioneer and market leader, NEPEAN offers innovative, high quality inductive sensors to meet the needs of the worldwide automation and process control markets. Our experience, flexibility and customer focus continues to allow us to offer custom designed solutions for the most unique and demanding applications.

Features

Standard Inductive Sensor Product features:

- Smooth or threaded stainless housings
- Polarity reversal and short-circuit protected
- LED status indication
- Connection styles include M8, M12, M18 or terminal connection models
- Models with PVC, PUR or silicon cable
- Outputs in 2-, 3-, 4-wire DC, AC, NAMUR, and AS-Interface versions. 2 Wire stocked.

Application Specific Inductive Sensor features:

- Integrated speed monitor with up to 100 Hz operation
- Sensors approved for gas and dust Ex zones
- Models with stainless steel sensing face
- Protective class of up to IP68/ IP69k (submersible/ high pressure water jet resistant)
- Weld resistant designs with PTFE-coated surface
- Reduction factor of 1, all metals sensed at same distance
- Exclusive ferrous and non-ferrous detection models
- Safety function sensors
- Extended temperature range: -40 °C up to +250 °C

Ordering Information

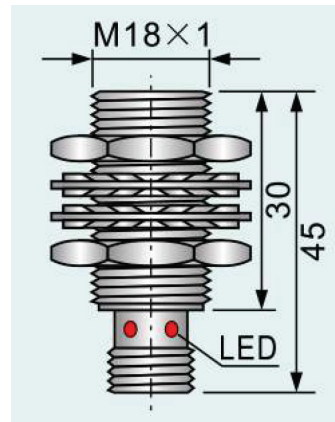
Part Number	Description
CLJ-A18BM-5ALB-G	18mm Prox Switch. 10-30V DC,N/C. Plug connection
CLJ-A18BM-5ALA-G	18mm Prox Switch. 10-30V DC,N/O. Plug connection
CKS-4S12-1AD-10	Connection Plug. Elbow C/W 10mtrs cable

Proximity Sensor and Connection Plug

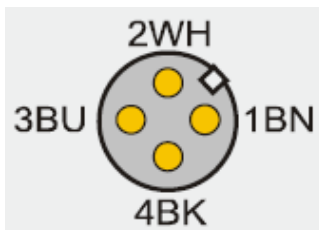
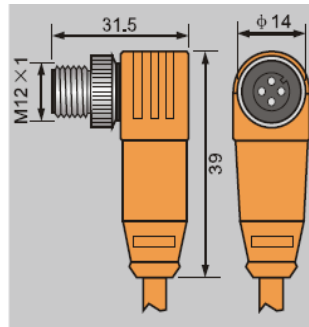
Technical Parameters

Option	Normally open	CLJ-A18BM-5ALA-G
	Normally closed	CLJ-A18BM-5ALB-G
Type	M18x1	
Installation method	Embedded	
Detection distance S_n	5mm	
Set up distance S_a	0-4mm	
Standard test body (st 37 steel)	24 x 24 x 1mm ³	
Power supply voltage	10-30 VDC	
Current consumption	≤1mA	
Current output	≤50mA	
Voltage output drop	≤5V	
Circuit protection	Polarity protection	
Switch point offset	<±10%	
Retrace range	1-20%	
Repeat precision	<1%	
Response frequency	≤200Hz	
Output indication	Red LED	
Environmental temperature	-25 + 75°C	
Ambient humidity	35-95%RH	
Cover material	Nickel copper alloy	
Wire mode	M12 Connector	
Protection level	IP67	
Dimension	(mm)	

Sensor Diagram



Wiring and Diagrams



Technical Parameters

Type	M12x1
Core count	4
Plug type	Male elbow
Character	With injection moulding cable With automatic safety nut locking function
Part number	CKS-4S12-1AD-10
Use	NPN, PNP 3/4 wires; DC, AC 2 wires
Rated voltage	0-250VAC/DC
Rated current	≤4A
Cable size	4 x 0.25mm ² (0.1 x 32)
Cable diameter	φ5 ± 0.2mm
Sheath colour	Yellow / Black
Sheath material	PVC/PUR
Contact material	Brass gilding
Safety nut	Nickel copper alloy
Output indication	-
Insulation impedance	≥ 50M Ω
Withstand voltage	1000VAC
Environmental temperature	-25-+75°C
Ambient humidity	35-95%RH
Protection degree	IP67
Dimension unit	(mm)



NEPEAN
Power

www.nepeanpower.com

For more information please contact:

P: +61 2 4028 5000

E: power@nepean.com