

Tri-axial Accelerometer

NEPEAN Power is a proven leader in the supply and manufacture of quality engineered solutions, products and technologies. Established in 1994, through the commitment of our dedicated team we have become a supplier of choice.

General purpose top-entry constant current accelerometer with 3 isolated AC outputs (X, Y and Z axes) and a 4 pin M12 connector. Internal electronics are isolated to minimise noise with increased bias voltage stability. Ideal for any application where vibration in all three spatial axes needs to be measured.

Specifications

Standard Sensitivity	100mV/g \pm 10% nominal @ 80Hz
Frequency Response	2Hz to 9kHz \pm 5% (-3dB @ 0.8Hz)
Isolation	Base isolated
Transverse Sensitivity	<10%
Acceleration Range	\pm 80g
Operating Temperature	-25 to 125 °C
Bias Voltage	12VDC (nominal)
Case Material	Stainless steel (aluminium optional)
Mounting	1 point M6x25 cap head (supplied)
Connector	4 pin M12
Weight	100g (nominal)
Sealing	IP66

Applications

- Aerospace
- Automotive
- Research and development

MTN/1330

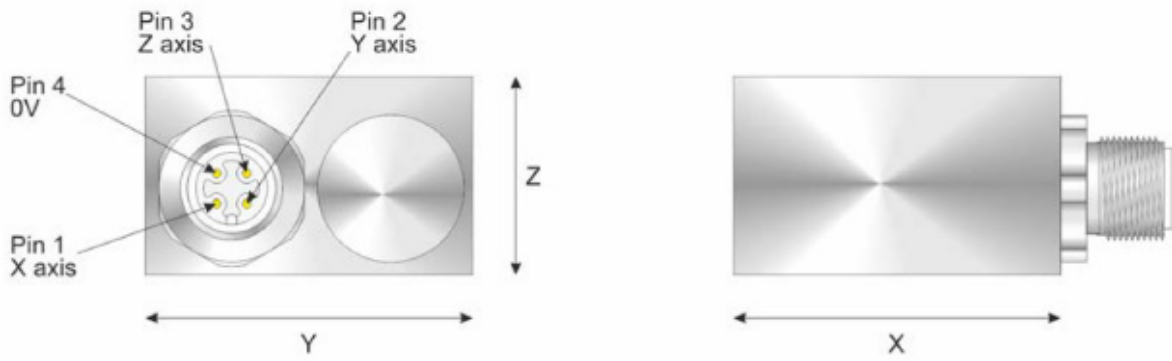


Ordering Information

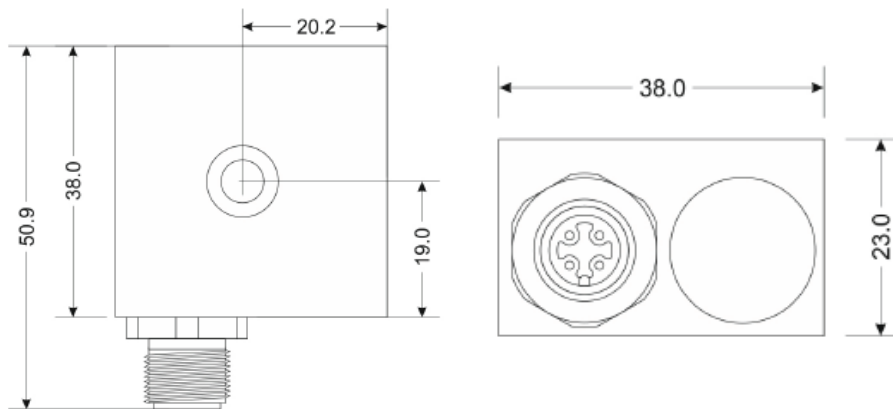
Part Number	Description
X1330	Tri-axial accelerometer

Tri-axial Accelerometer

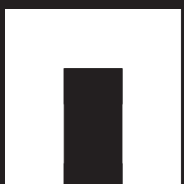
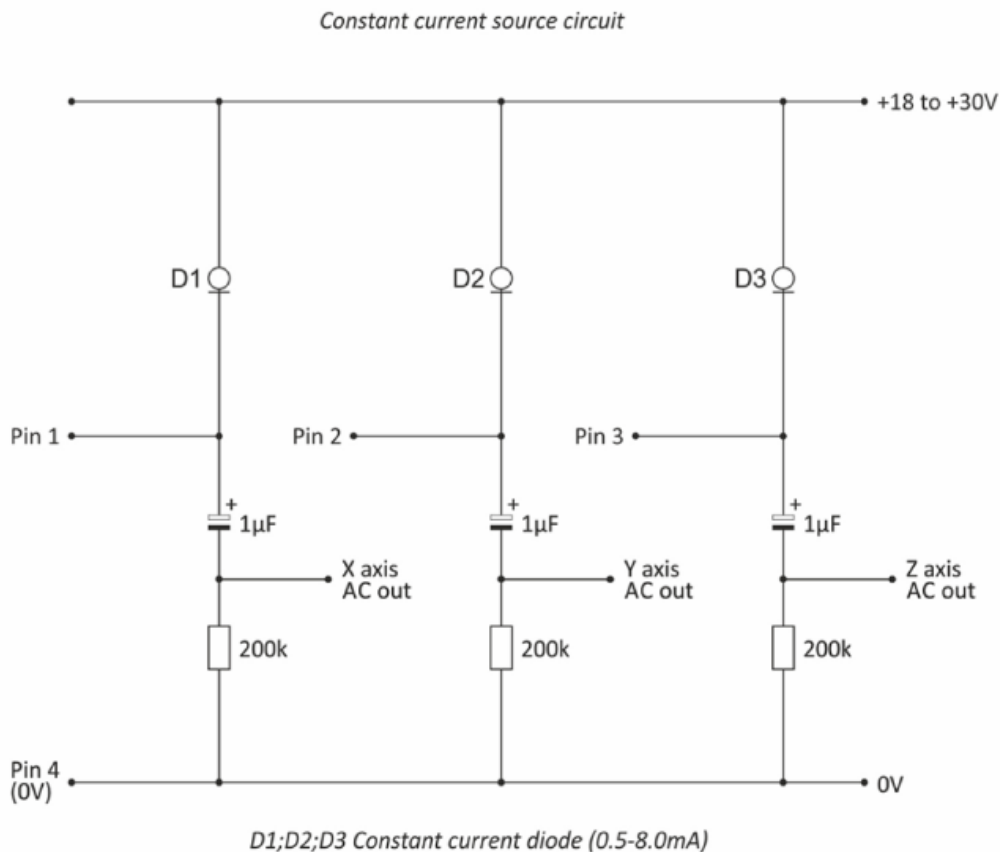
Pin Connections



Dimensions



System Connection



NEPEAN
Power

www.nepeanpower.com

For more information please contact:

P: +61 2 4028 5000

E: power@nepean.com