



**UNDERGROUND
MINE SAFE**

NEPEAN Power is a proven leader in the supply and manufacture of quality engineered solutions, products and technologies. Established in 1994, through the commitment of our dedicated team we have become a supplier of choice.

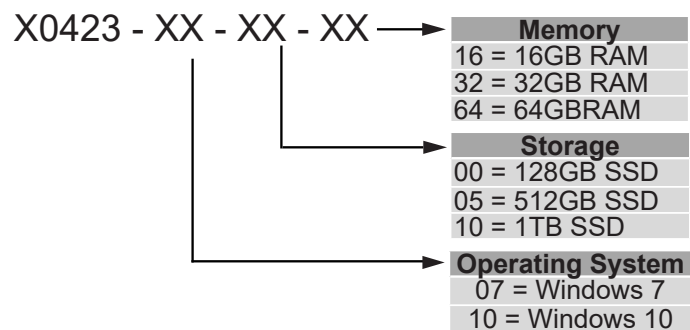
The NEPEAN Power Industrial PC's incorporate a highly integrated design, which ensures silent operation and compact efficiency. All NEPEAN Power Industrial PC's are smaller than an A4 piece of paper, and uses power supply which is 80% less than traditional PC's (150W).

Features

- Processor: Onboard Intel Core i9 10880H 2.3GHz Octa Core 16 thread
- Graphics: Intel UHD Graphics 630
- Operating System: Windows 10 (standard)
- Storage: SSD 128GB(standard)
- Memory: 16GB DDR4(standard)
- Ports: 4 USB 3.0, 2 USB 2.0, 1 Type C
- Wireless: 2.4G or 5G Wi-Fi with 2 Antennas
- HD Output: 1 HDMI port, supports 4k output and dual display with DP1.2 port
- 2 LAN Ports: Gigabit RJ45 port speed up to 1Gbps
- 1 Kensington lock hole
- 2 in 1 Wi-Fi Bluetooth

Power and Working Environment

- Input: 100-240V AC/50-60Hz (power supply)
DC 12V ~ 19V, recommend 19V/3 ~ 5A (direct supply)
- Operating Temperature: 0°C/70°C
- Storage Temperature: -20°C/80°C
- Supports 64-bit computing

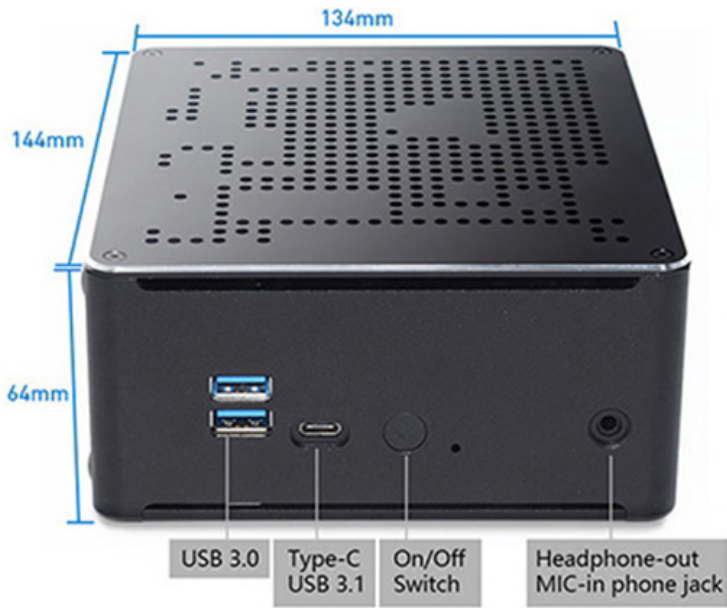


Ordering Information

Part Number	Description
X0438	12.1" Industrial Touch Monitor
X0436	17" Industrial Touch Monitor
X0444	19" Industrial Touch Monitor
X0416-SF	6+2 Fibre Ports, 10/100M Managed Industrial Ethernet Switch
EP070	Real Time Clock
MKB-65-TB-MDT	IP65 Stainless Keyboard. 65 Keys. With Roll Ball
MKB-65-TP-MDT	IP65 Stainless Keyboard. 65 Keys. With Scratch Pad
MKB-65-MDT	IP65 Stainless Keyboard. 65 Keys.
SKB-87	IP68 Keyboard 87 Keys. Black
SM-500-OP	IP68 Black Mouse USB2.0
X0423 - MBR1	For mounting on surfaces
X0423 - MBR2	For mounting when upgrading from previous model
CITEC-CONV	Citec Programming

Industrial PC

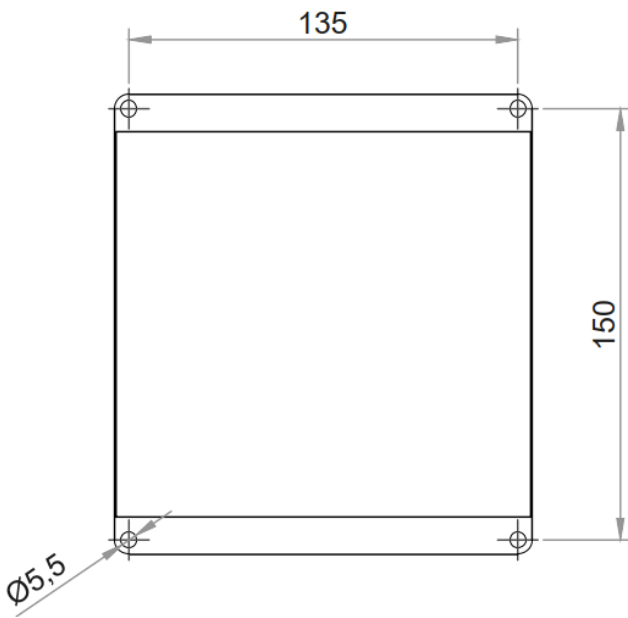
Front



Back

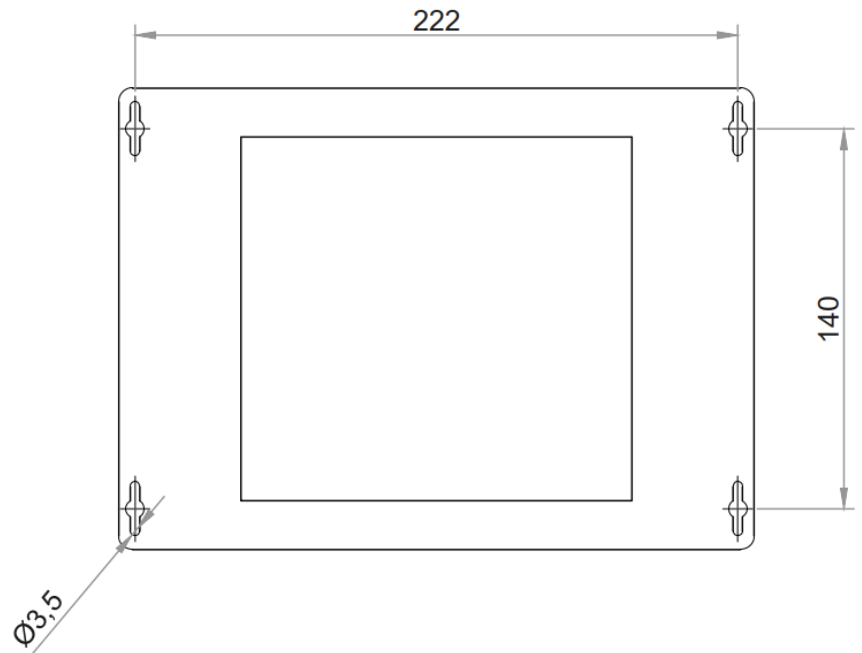


Dimensions, Ports and Connections



X0423 - MBR1 Braket Dimensions

Adaptor plate for standard mounting



X0423 - MBR2 Braket Dimensions

Adaptor plate for previous model, please see note on previous page

Please note: When upgrading from previous model, addition mounting plates are needed.



NEPEAN
Power

www.nepeanpower.com

For more information please contact:

P: +61 2 4088 2790

E: power@nepean.com