

Vacuum Contactor VC-R400-110VAC



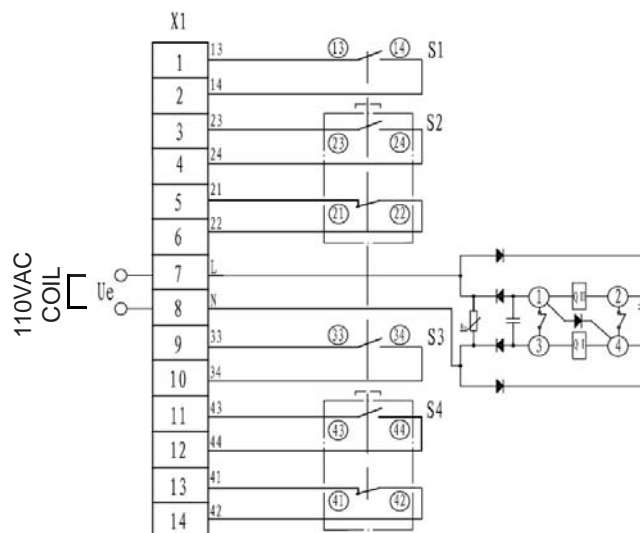
NEPEAN Power is a proven leader in the supply and manufacture of quality engineered solutions, products and technologies. Established in 1994, through the commitment of our dedicated team we have become a supplier of choice.

The VC-R400-110VAC is an enclosed type and high power 3-phase AC contactor. This contactor has 4 groups of bridge type make auxiliary contacts and 2 groups of bridge type break auxiliary contacts. The rated current of R series AC vacuum contactor's main contact load is up to 400A, working voltage 380V-1500V, and auxiliary contact load up to AC 12A, 240V.

Features

- Vacuum Arc Technology - "One Shut Technology"
- Can be used in both AC and DC
- Wide range voltage
- Electronic control coil
- No matter the power supply, AC/DC or 50/60Hz, they can be directly connected to the coil, without considering the power network and the type of control power supply.

Connection Diagram

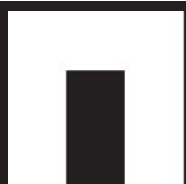
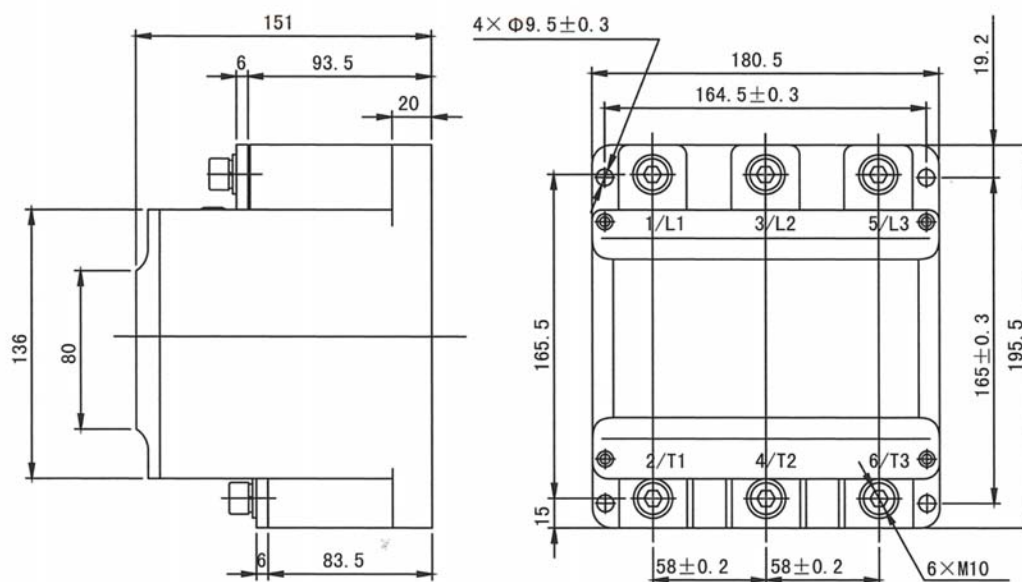


Vacuum Contactor VC-R400-110VAC

Specifications

Rated Working current (A)	400
Rated Working Voltage (kV)	1.14
Rated Making Capacity (A/50 times)	4000
Rated Breaking Capacity (A/50 times)	3200
Limited Breaking Capacity (A/3 times)	4000
Pick-up Power (W transient)	342
Hold Power (W)	38
Mechanical Life (times)	1×10^6
Electrical Life (times)	3×10^5
Weight (kg)	7.5
Control Power Voltage (V) (AC/DC)	127, 220
Auxiliary Contacts	4 x NO, 2 x NC
Auxiliary Contact Capacitance	AC-15: Ue:AC380V Ie:0.8A DC-13: Ue:DC220V Ie: 0.1A

Dimensions



NEPEAN
Power

www.nepeanpower.com

For more information please contact:

P: +61 2 4028 5000

E: power@nepean.com