

Vacuum Contactor VC-R160-110VAC



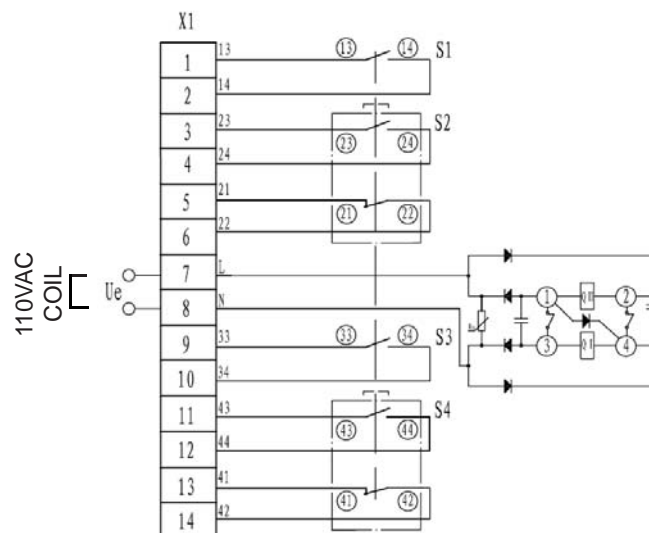
NEPEAN Power is a proven leader in the supply and manufacture of quality engineered solutions, products and technologies. Established in 1994, through the commitment of our dedicated team we have become a supplier of choice.

The VC-R160-110VAC is an enclosed type and high power 3-phase AC contactor. This contactor has 3 groups of bridge type make auxiliary contacts and one group of bridge type break auxiliary contact. The rated current of R series AC vacuum contactor's main contact load is up to 160A, working voltage 380V-1500V, and auxiliary contact load up to AC 12A, 240V.

Features

- Vacuum Arc Technology - "One Shut Technology"
- Can be used in both AC and DC
- Wide range voltage
- Electronic control coil
- No matter the power supply, AC/DC or 50/60Hz, they can be directly connected to the coil, without considering the power network and the type of control power supply.

Connection Diagram

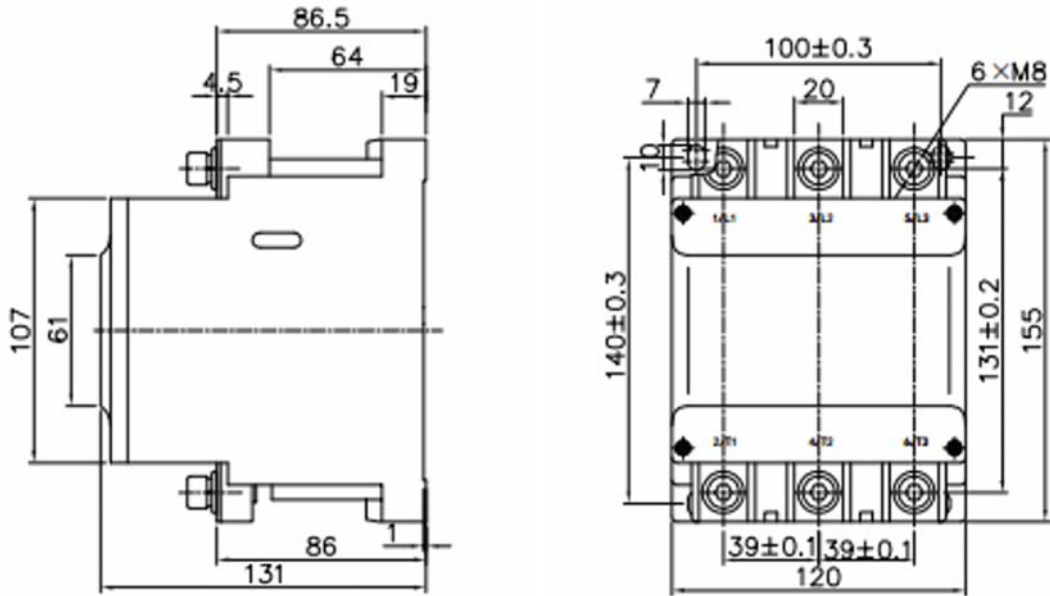


Vacuum Contactor VC-R160-110VAC

Specifications

Rated Working current (A)	160
Rated Working Voltage (kV)	1.14
Rated Making Capacity (A/50 times)	1600
Rated Breaking Capacity (A/50 times)	1280
Limited Breaking Capacity (A/3 times)	1600
Pick-up Power (W transient)	265
Hold Power (W)	30
Mechanical Life (times)	1 x 10 ⁶
Electrical Life (times)	1 x 10 ⁵
Weight (kg)	3.5
Control Power Voltage (V) (AC/DC)	36, 110, 220, 380
Auxiliary Contacts	3 x NO, 1 x NC
Auxiliary Contact Capacitance	AC-15: Ue:AC380V Ie:0.7A DC-13: Ue:DC220V Ie: 0.1A

Dimensions



NEPEAN
Power

www.nepeanpower.com

For more information please contact:

P: +61 2 4028 5000

E: power@nepean.com